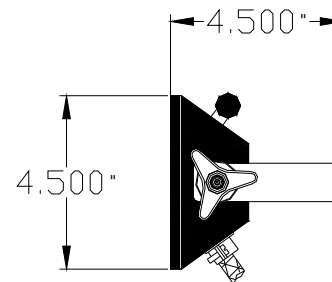
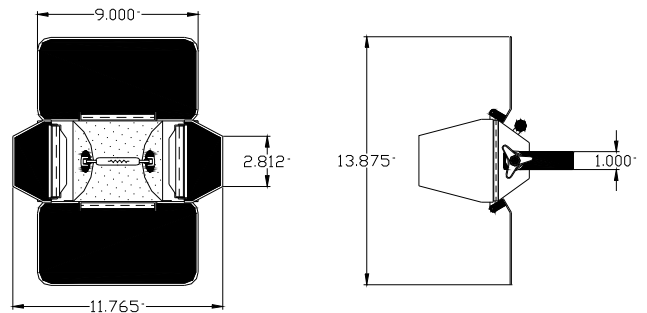




SPECIFICATION

- MECHANICAL** STEEL AND ALUMINUM CONSTRUCTION
- GEL FRAME HOLDERS
 - RIGID STEEL YOKE
 - TOOL FREE RELAMPING
 - INSULATED HANDLES AND HARDWARE
 - INTEGRAL 4 WAY BARN DOORS
 - BLACK POWDER COAT FINISH
- ELECTRICAL** 120/240 VOLTS, 1000 WATT MAXIMUM
- 36" HIGH TEMPERATURE LEADS IN FIBER GLASS SLEEVE
 - RECESSED SINGLE CONTACT LAMP HOLDERS
- REFLECTOR** 24 GAUGE PATTERNED ALUMINUM



FIXTURE WEIGHT	SHIPPING WEIGHT
3.25 LBS.	1@4 LBS.



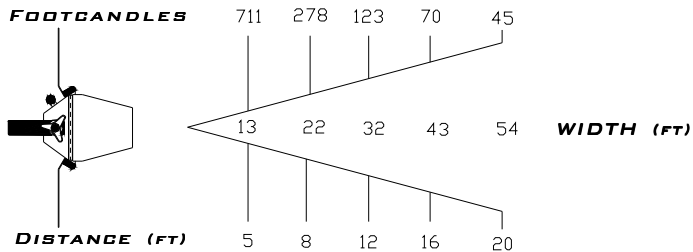
LAMP INFORMATION

<u>LAMP</u>	<u>WATTS</u>	<u>CBCP</u>	<u>COLOR TEMP</u>	<u>AVERAGE LUMENS LIFE</u>
EHM	300	4075	2950	2000 5900
EHZ*	300	3870	2950	2000 5770
FCL	500	6760	3000	2000 10000
FCZ*	500	6400	3000	2000 10700
FDF	500	9000	3200	400 13000
FDN*	500	8500	3200	400 12800
FCM/HIR	650	16650	3275	400 26400
EJG	750	13575	3200	400 20600
EMD*	750	13240	3200	400 19500
FCM	1000	18500	3200	400 28000
FHM*	1000	17780	3200	400 27300

* FROSTED

PHOTOMETRIC DATA

HORIZONTAL SPREAD



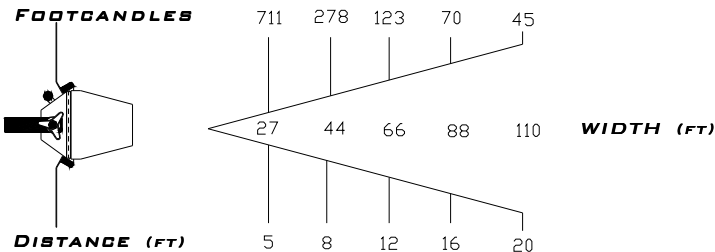
TYPICAL DATA WITH FHM LAMP

	<u>ANGLE</u>	<u>MF</u>
BEAM (50% CBCP)	66°	1.30
FIELD (10% CBCP)	108°	2.70

TO FIND LIGHT OUTPUT IN FOOTCANDLES (FC) AT ANY DISTANCE:
 $CBCP / (THROW DISTANCE)^2 = FC$

TO FIND ANY BEAM OR FIELD WIDTH AT ANY DISTANCE: THROW
 DISTANCE X MF = WIDTH

VERTICAL SPREAD



TYPICAL DATA WITH FHM LAMP

	<u>ANGLE</u>	<u>MF</u>
BEAM (50% CBCP)	66°	1.30
FIELD (10% CBCP)	140°	5.50

TO FIND LIGHT OUTPUT IN FOOTCANDLES (FC) AT ANY DISTANCE:
 $CBCP / (THROW DISTANCE)^2 = FC$

TO FIND ANY BEAM OR FIELD WIDTH AT ANY DISTANCE: THROW
 DISTANCE X MF = WIDTH

ACCESSORIES

320	COLOR FRAME 3 PIECE
HANGTUFF	C CLAMP - ALUMINUM (WITH INTEGRAL SAFETY CABLE)
GET-A-GRIP	C CLAMP - ALUMINUM
103-0533	SAFETY CABLE

LIGHTING & ELECTRONICS, INC.

MARKET STREET INDUSTRIAL PARK WAPPINGERS FALLS, NY 12590
 (845) 297-1244 FAX (845) 297-9270 WWW.LE-US.COM

