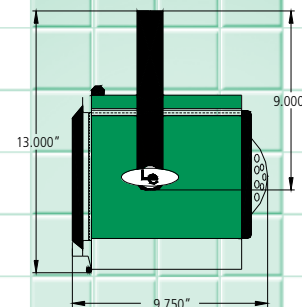
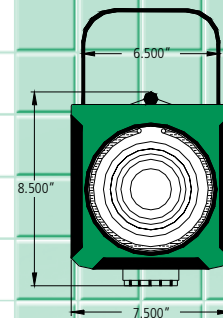


# FRESNEL 6006



## specifications...

### mechanical

- Welded Steel construction
- Gel frame holders to accept 7-1/2" accessories
- Rigid steel yoke
- Sealed reflector housing
- Tool free relamping
- Insulated handles and hardware
- Black bake enamel finish
- UL/cUL listed

### electrical

- 120/240 volts, 750 watt maximum
- 36" high temperature leads in fiber glass sleeve medium prefocus lamp holder
- Dual grounding - socket and housing

### lenses

- Heat resistant 6" Fresnel lens
- Spot to flood adjustment

### reflector

- Clear anodized spherical aluminum

### accessories

- 303 Color Frame 7.5"x7.5" (included)
- 342 Barn Door 6"
- 352 Top Hat 6"
- HangTuff C Clamp - aluminum (with integral safety cable)
- Get-A-Grip C Clamp - aluminum
- 103-0533 Safety Cable

### lamp information

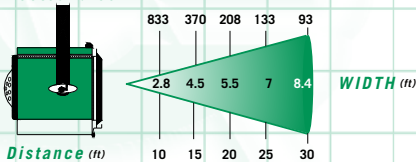
#### fresnel 6006

Lamp	Watts	CBCP Spot	CBCP Flood	Color Temp	Average Life	Lumens
BTL	500	54,112	8,775	3050	1100	11,000
BTM	500	63,270	10,260	3200	100	13,000
BTN	750	83,250	13,500	3050	500	17,000
BTP	750	99,900	16,200	3200	200	20,000

### photometric data

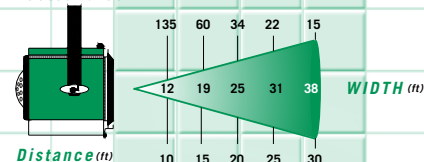
#### SPOT FOCUS

##### Footcandles



#### FLOOD FOCUS

##### Footcandles



Typical Data with BTN 750W lamp

	ANGLE	MF
Beam (50% CBCP)	7°	0.12
Field (10% CBCP)	16°	0.28

To find light output in footcandles (fc) at any distance:  
 $CBCP / (\text{throw distance})^2 = fc$

To find any beam or field WIDTH at any distance:  
 $\text{throw distance} \times mf = WIDTH$

Typical Data with STN 750W lamp

	ANGLE	MF
Beam (50% CBCP)	50°	0.93
Field (10% CBCP)	64°	1.25

To find light output in footcandles (fc) at any distance:  
 $CBCP / (\text{throw distance})^2 = fc$

To find any beam or field WIDTH at any distance:  
 $\text{throw distance} \times mf = WIDTH$

FIXTURE WEIGHT	SHIPPING WEIGHT
6.75 LBS.	4/30 LBS.

## Lighting & Electronics, Inc.

Designers and Manufacturers of Theatre, Concert, TV, Video/Film and Architectural Lighting

Market Street Industrial Park, Wappingers Falls, NY 12590

(845) 297-1244 • Fax (845) 297-9270 • e-mail info@le-us.com [www.le-us.com](http://www.le-us.com)