



SPECIFICATION

MECHANICAL WELDED STEEL CONSTRUCTION

GEL FRAME HOLDER TO ACCEPT 4-3/8" GEL FRAME

RIGID STEEL YOKE WITH LOCKING-DOG MECHANISM

SEALED REFLECTOR HOUSING

INSULATED STAINLESS STEEL SHUTTERS

PATTERN HOLDER TO ACCEPT STANDARD PATTERNS

TOOL FREE RELAMPING

POWDER COAT FINISH

UL/CUL LISTED

LENSES TWO HEAT RESISTANT LENSES HOUSED IN A FOCUSING BARREL

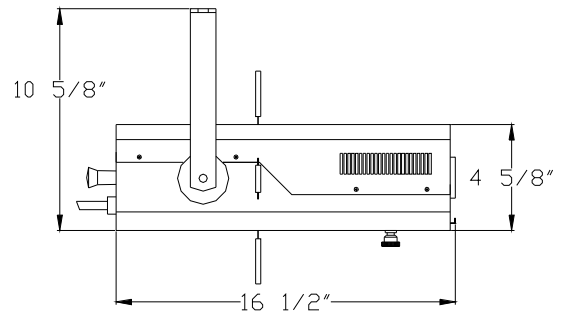
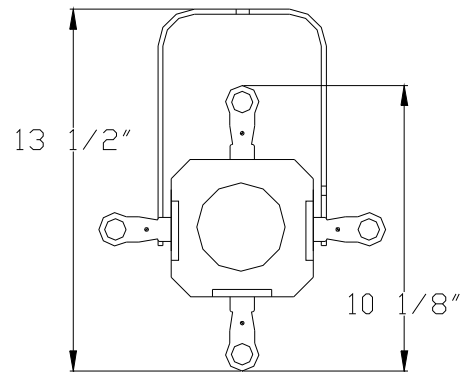
ADJUSTABLE THE LENSES TO PRODUCE FIELDS OF 30° AND 20°

ELECTRICAL 120/240 VOLTS, 500 WATT MAXIMUM

36" HIGH TEMPERATURE LEADS IN FIBER GLASS SLEEVE

AXIALLY MOUNTED MEDIUM TWO-PIN LAMP HOLDER

REFLECTOR PARABOLIC ALUMINUM, COATED AND POLISHED



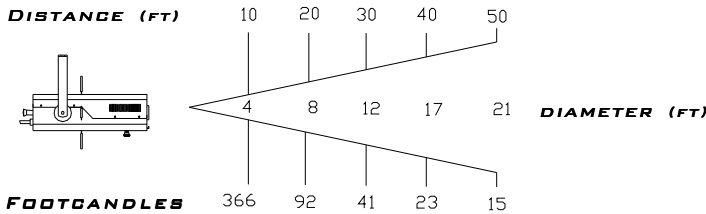
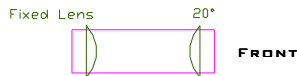
FIXTURE WEIGHT	SHIPPING WEIGHT
8.65 LBS.	1/10.5 LBS.



LAMP INFORMATION

LAMP	WATTS	VOLTS	CBCP		COLOR TEMP.	AVERAGE LIFE	LUMENS	MF
			20°	30°				
HX400	375	115	25,300	24,100	3200	300	10,000	0.69
HX401	400	115	21,600	20,600	3050	1500	8,500	0.59
EHD	500	120	29,300	28,000	3000	2000	10,600	0.80
EHC/EHB 500	500	120	36,600	34,900	3200	300	13,000	1.00

PHOTOMETRIC DATA

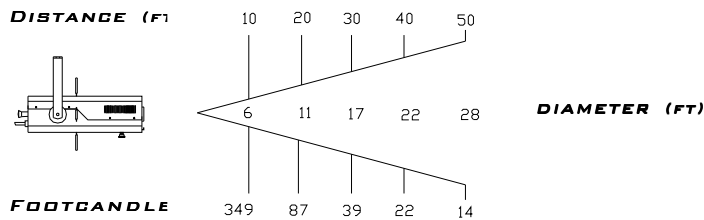
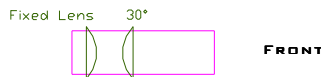


	ANGLE	MF
BEAM (50% CBCP)	12.4°	0.210
FIELD (10% CBCP)	23.4°	0.407

TO FIND LIGHT OUTPUT IN FOOTCANDLES (FC) AT ANY DISTANCE:
 $CBCP / (THROW DISTANCE)^2 = FC$

TO FIND ANY BEAM OR FIELD DIAMETER AT ANY DISTANCE:
 $THROW DISTANCE \times MF = DIAMETER$

TYPICAL DATA WITH EHC LAMP



	ANGLE	MF
BEAM (50% CBCP)	14.4°	0.246
FIELD (10% CBCP)	30.9°	0.555

TO FIND LIGHT OUTPUT IN FOOTCANDLES (FC) AT ANY DISTANCE:
 $CBCP / (THROW DISTANCE)^2 = FC$

TO FIND ANY BEAM OR FIELD DIAMETER AT ANY DISTANCE:
 $THROW DISTANCE \times MF = DIAMETER$

TYPICAL DATA WITH EHC LAMP

ACCESSORIES

324	COLOR FRAME 4-1/4"X4-3/8" (INCLUDED)
362	PATTERN HOLDER
HANGTUFF	C CLAMP - ALUMINUM (WITH INTEGRAL SAFETY CABLE)
GET-A-GRIP	C CLAMP - ALUMINUM
103-0533	SAFETY CABLE

LIGHTING & ELECTRONICS, INC.

MARKET STREET INDUSTRIAL PARK WAPPINGERS FALLS, NY 12590
 (845) 297-1244 FAX (845) 297-9270 WWW.LE-US.COM

